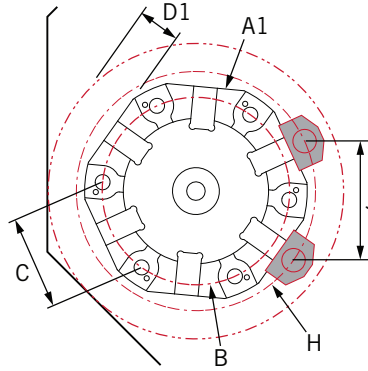
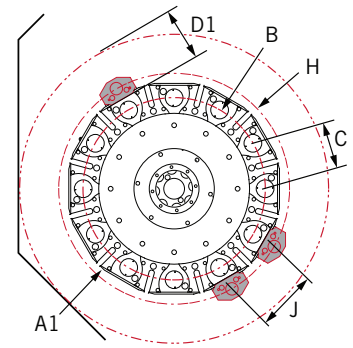


Max Tool Stick Out



VB Hybrid 12 Station

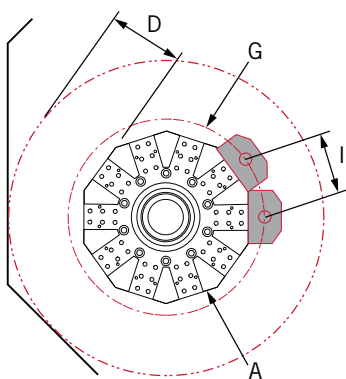


VB24 Hybrid 24 Station
(All SS Models)

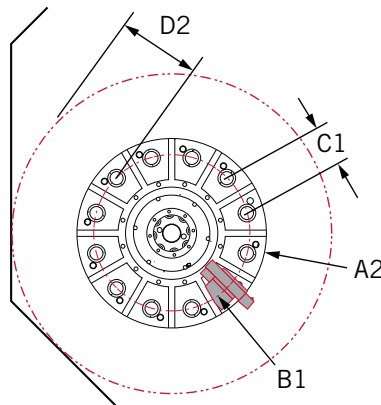
Description	ST-20(Y)	ST-30(Y)	ST-20SS(Y)	DS-30(Y)	ST-30SS(Y) DS-30SS(Y)	SL-40 ST-40
A BOT TURRET OD DIAMETER (FLATS)	16.16" (410mm)	16.16" (410mm)	—	—	—	22.27" (566mm)
A1 VB12/24 TURRET OD DIAMETER (FLATS)	18.95" (481mm)	18.95" (481mm)	21.45" (545mm)	18.95" (481mm)	21.20" (538mm)	22.27" (566mm)
A2 VDI TURRET OD TURRET DIAMETER	19.00" (483mm)	19.00" (483mm)	—	—	—	23.75" (603mm)
B VB12/24 TURRET VDI40 POCKET CIRCLE	15.63" (397mm)	15.63" (397mm)	18.25" (464mm)	15.63" (397mm)	18.25" (464mm)	20.00" (508mm)
B1 *VDI TURRET VDI40 POCKET CIRCLE	15.63" (397mm)	15.63" (397mm)	—	15.63" (397mm)	—	20.00" (508mm)
C VB12/24 TURRET VDI40 POCKET SPACING	7.81" (198mm)	7.81" (198mm)	4.69" (119mm)	7.81" (198mm)	4.69" (119mm)	10.00" (254mm)
C1 *VDI TURRET VDI40 POCKET SPACING	4.04" (103mm)	4.04" (103mm)	—	—	—	5.17" (131mm)
D BOT TURRET FROM FLATS TC CLEARANCE	6.90" (175mm)	8.00" (203mm)	—	—	—	9.00" (229mm)
D1 VB12/24 TURRET FROM FLATS TC CLEARANCE	5.50" (140mm)	6.85" (174mm)	4.50" (114mm)	6.85" (174mm)	5.85" (149mm)	9.00" (229mm)
D1 VB12/24 TURRET FROM VDI40 CENTER TC CLEARANCE	7.00" (178mm)	8.35" (212mm)	6.00" (152mm)	8.35" (212mm)	7.35" (187mm)	10.00" (254mm)
D2 VDI TURRET FROM VDI40 CENTER TC CLEARANCE	7.00" (178mm)	8.35" (212mm)	—	—	—	10.00" (254mm)
E BOT TURRET BOLT-ON TOOL MAX REAR STICKOUT	4.00" (102mm)	4.00" (102mm)	—	—	—	4.37" (111mm)
E VB12/24 TURRET BOLT-ON TOOL MAX REAR STICKOUT	4.00" (102mm)	4.00" (102mm)	4.00" (102mm)	4.00" (102mm)	4.00" (102mm)	4.37" (111mm)
E VDI40 POCKET MAX TOOL REAR STICKOUT	0.40" (10.2mm)	0.40" (10.2mm)	0.40" (10.2mm)	0.40" (10.2mm)	0.40" (10.2mm)	.40" (10.2 mm)
F **REC. MAX TOOL STICKOUT FROM FACE OF TURRET AT FULL Z TRAVEL	5.00" (127mm)	5.00" (127mm)	5.00" (127mm)	5.00" (127mm)	6.00" (152mm)	***
G BOT TURRET ID TOOL POCKET DIAMETER	18.66" (474mm)	—	—	—	—	25.42" (646mm)
H VB12/24 TURRET ID TOOL POCKET DIAMETER	21.45" (545mm)	21.45" (545mm)	23.20" (589mm)	21.45" (545mm)	23.20" (589mm)	25.42" (646mm)
I BOT TURRET ID TOOL POCKET SPACING	4.80" (122mm)	—	—	—	—	6.60" (168mm)
J VB12/24 TURRET ID TOOL POCKET SPACING	10.72" (272mm)	10.72" (272mm)	6.00" (152mm)	10.72" (272mm)	6.00" (152mm)	12.76" (324mm)

*ST-10 VDI POCKETS ARE STAGGERED **EXCEEDING THIS STICKOUT MAY RESULT IN COLLISION WITH THE FRONT BULKHEAD

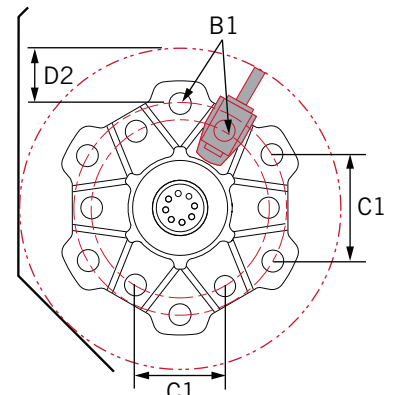
***A 25" (635 mm) DEEP POCKET IN THE ST-40 AND ST-40L PROVIDES CLEARANCE FOR BORING BARS AND LONG TOOLS.



BOT Turret



VDI Turret



ST-10 VDI Turret